

Countertop Distillation System

USE & CARE GUIDE



See important safeguards on pages 2 and 3



An exclamation point within an equilateral triangle is intended to alert user to the presence of important operating, safety and maintenance instructions in the literature accompanying the appliance.



A lightning bolt within an equilateral triangle is intended to alert user to risk of injury from electric shock.



Water and steam vapor within an equilateral triangle is intended to alert user to risk of injury from hot, boiling water or steam.





IMPORTANT SAFEGUARDS

To prevent personal injury or property damage, read and follow the instructions and/or warnings in this Use & Care Guide. A person who has not read and understood all operating and safety instructions is not qualified to operate this appliance.

CAUTION: Basic safety precautions should always be followed to avoid risk of fire and electric shock. Because boiling water is generated in this appliance, basic safety precautions should always be followed to avoid risk of burns from hot steam and scalding water, especially when children are present. Children should be supervised to ensure that they do not play with the appliance.

HOUSEHOLD USE ONLY.

READ ALL INSTRUCTIONS BEFORE USE:



1. **WARNING:** Steam and hot, boiling water will scald the skin and result in severe burns. **ALWAYS** seek immediate medical attention for burns caused by hot, boiling water or steam. To avoid risk of severe burns:
 - **DO NOT** touch hot surfaces. Use handles or knobs.
 - This appliance is **NOT** intended for use by persons (including children) with reduced physical, sensory or mental capabilities, or lack of experience and knowledge, unless they have been given supervision or instruction concerning use of the appliance by a person responsible for their safety.
 - **DO NOT** allow children near the Distiller without close supervision. Warn others of possible risks.
 - **DO NOT** attempt to remove kettle lid during a cycle as scalding may occur. (Additional information on page 7—“Using the Distiller”).
 - **DO NOT** remove kettle while Distiller is operating or cooling. Wait at least 30 minutes after the completed cycle before removing kettle or cover. If the cycle is interrupted, wait at least 5 hours before removing kettle from base unit.
 - **DO NOT** change position or location of Distiller while it is operating or cooling. Wait at least 30 minutes after the completed cycle before moving the Distiller. If the cycle is interrupted, wait at least 5 hours before moving the Distiller.
 - **DO NOT** operate in a moving conveyance such as RV or boat.
 - **DO NOT** use outdoors. Use **INDOORS** on a dry, level, well-supported, stable surface.
 - **DO NOT** place the Distiller on a tablecloth or too near the edge of the supported surface where it can be bumped or pulled down.
2. **DO NOT** attempt to make safe drinking water from non-potable water sources. **DO NOT** use with water that is microbiologically



unsafe or of unknown quality without adequate disinfection before or after distilling. **DO NOT** use salt water. Appliance has not been tested or certified by the California Department of Public Health.

3. **ALWAYS** operate in a well-ventilated area away from other heat sources. Provide adequate air space (at least 4 inches from walls or cabinets) when in use.
4. **DO NOT** place, store, or stack anything on top of or against sides of Distiller while in operation.
5. **DO NOT** place on or near a hot gas or electric burner, or in a heated oven.
6. **ALWAYS** make sure collection/serving carafe is properly placed for water collection.
7. **DO NOT** operate without water in the kettle.
8. **DO NOT** fill kettle above the “MAX” lines. Overfilling kettle will jeopardize water quality and may result in damage to Distiller. To avoid risk of overfilling, use a pitcher to fill the kettle.
9. **DO NOT** use appliance for cooking, heating, humidifying, or any other purpose except distilling water.
10. **NOTE:** The cooling fan will not start immediately because of a delayed fan start-up feature. The fan will start once the kettle has reached a predetermined temperature, approximately 30 minutes after starting the cycle. The cooling fan will continue to operate approximately 1 minute after kettle turns off.
11. The Distiller requires no special care other than general cleaning and periodic filter replacement. If servicing becomes necessary, please contact your authorized dealer or an authorized service facility. **DO NOT** attempt to repair the Distiller yourself. The use of accessory attachments not recommended by the appliance manufacturer may result in fire, electric shock or injury to persons. There are **NO** user serviceable parts inside unit. See warranty for details.



ELECTRIC CORD STATEMENT

1. Plug Distiller into a grounded electrical outlet only. **DO NOT** modify 3-prong plug in any way.
2. A short power supply cord is provided to reduce risks resulting from becoming entangled in or tripping over a longer cord. Extension cords are available and may be used if care is exercised in their use. If an extension cord must be used, **DO NOT** allow cord to hang over the edge of table or counter, or contact hot surfaces.
3. To prevent electric shock, injury or fire, a grounded extension cord must be rated at least as great as the electrical rating shown on bottom of the Distiller (800 watts and 10 amps). The longer cord should be



arranged so that it will not drape over the counter top or table top where it can be pulled on by children or tripped over.

4. **DO NOT** operate with a damaged cord or plug, after a malfunction, or if the Distiller has been damaged in any manner. Return to an authorized dealer or authorized service facility for examination, repair, replacement or adjustment. If the SUPPLY CORD is damaged, it must be replaced by the manufacturer, its service agent or similarly qualified person in order to avoid a hazard.
5. **DO NOT** immerse power cord, plug, kettle or base unit in water or liquid to avoid fire, electrical shock and injury to persons.
6. To disconnect, turn any control to “off”, then remove plug from wall outlet. Unplug from wall outlet when not in use and before cleaning. Allow to cool before putting on or taking off parts, and before cleaning the appliance.



SAVE THESE INSTRUCTIONS

HOW IT WORKS

The Countertop Distillation System produces purified water by using the oldest, most effective method of water treatment—steam distillation. When the Distiller is operating, the water temperature rises to 212°F (100°C), killing bacteria, cysts, and viruses that may be present. As the boiling water **1** converts to steam **2**, it rises and leaves behind dead microbes, dissolved solids, salts, heavy metals, and other contaminants. Low boiling light gases that may be present are discharged through the gaseous vent **3**. Steam is then cooled in the stainless steel condenser **4**, turning it into high purity water. Distilled water percolates through a final polishing coconut shell carbon filter **5** to enhance quality by adsorption of VOCs (volatile organic compounds), and is then collected in the Tritan™ collector/serving carafe which is BPA free **6**.



Tritan™ is a Trademark of Eastman Chemical Company



PRODUCT SPECIFICATIONS

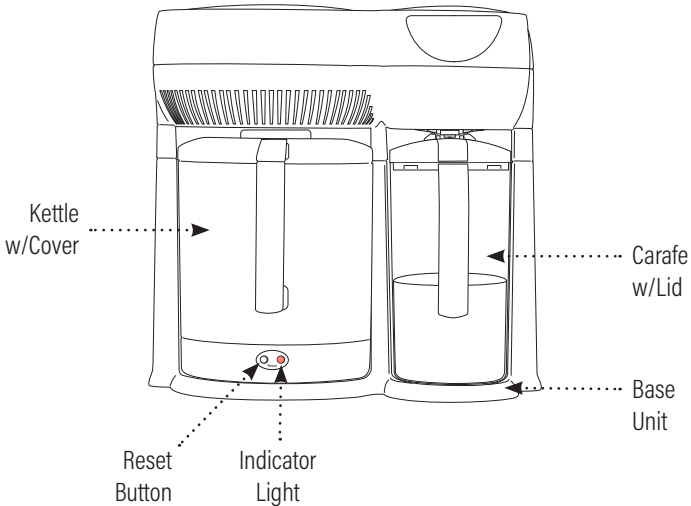
Rating 120 Volts / 60 Hz / 800 Watts

Filling Volume 1 gallon (3.8 liters)

Production Capacity .25 gallon/hour (.95 liter/hour),
6 gallons/24 hours (22.8 liters/24 hours)

- Distiller will produce any amount up to 1 gallon per cycle.
- If less than 1 gallon is wanted, fill kettle with desired amount.
- Distiller will automatically shut off when no water remains in kettle.

FIGURE A



PREPARING FOR FIRST TIME USE



IMPORTANT: DO NOT immerse power cord, kettle or base unit in water or liquid to avoid fire, electrical shock and injury to persons.

Clean Kettle

1. Remove kettle from base unit.
2. Remove kettle cover by twisting counterclockwise, then lift.
3. Wash inside of kettle with soap and warm water.
4. Rinse thoroughly.

Clean Carafe

1. Remove carafe from base unit and remove lid.
2. Pull tab on bottom of lid to release carbon compartment cover (fig. B).
3. Wash carafe and cover with soap and warm water.
4. Rinse thoroughly.

CARBON POST FILTER

The filter contains water washed granular activated carbon (GAC) produced from organic coconut shell that is tested and certified to be California Prop 65 compliant.

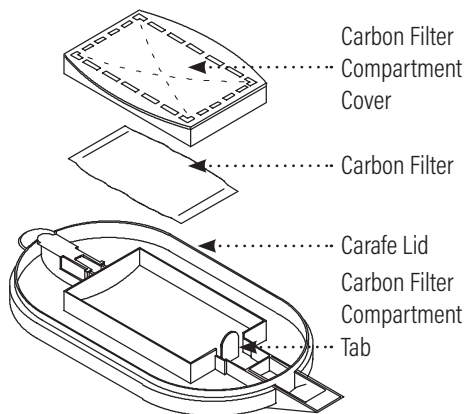
Post filtration is used as a final treatment to effectively remove volatile organic compounds (VOCs). It significantly reduces trihalomethanes, synthetic organic compounds such as pesticides and hydrocarbons, and petrochemical byproducts such as benzene, toluene, and methyl tertiary-butyl ether (MTBE).

Preparation

1. Wash your hands with soap and warm water.
2. Remove filter from plastic bag.
3. Fill a clean container with distilled or boiled tap water.
4. Slowly immerse a narrow end of the filter bag into the water.
5. Once the bottom quarter ($\frac{1}{4}$) is wet, slowly immerse entire bag, squeezing gently to remove air. If the bag “puffs up,” you are immersing it too quickly.
6. After the bag has been immersed, remove from the water and rinse it by pouring more distilled or boiled tap water over bag to remove any carbon fines (dust).



FIGURE B



Installation

1. Be sure carbon is evenly distributed within bag, then place bag in filter compartment (fig. B).
2. Replace cover on compartment and place lid on carafe.
3. Discard first gallon of distilled water as it may contain some harmless matter from manufacturing and/or packaging.

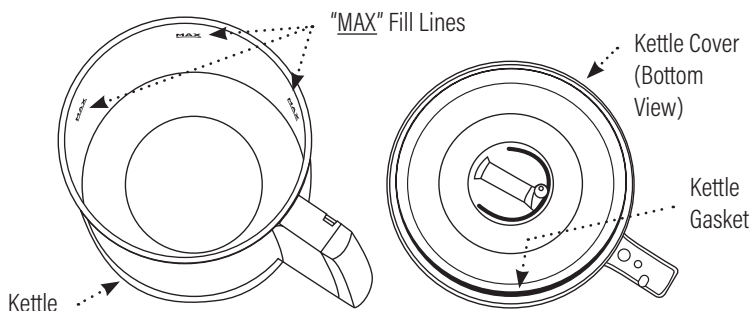
USING THE DISTILLER

Operational maintenance and replacement requirements are essential for this product to perform as advertised.

1. Set Distiller on a dry, level, well-supported, stable surface.
2. Provide adequate air space (at least 4 inches from walls or cabinets) around the distiller for proper cooling/ventilation.
3. Rinse kettle thoroughly before filling to “MAX” lines with approximately 1 gallon of ordinary tap water. **DO NOT** fill above “MAX” fill lines (fig. C).



FIGURE C



4. Replace kettle cover. Twist clockwise to lock. Slide kettle into base unit and press firmly to ensure kettle is properly placed (fig. A).
5. Slide carafe into base unit.
6. Plug power cord into a grounded 120-volt outlet.
7. Press the “Reset” button on the kettle to turn Distiller ON (fig. A). The “Indicator” light will illuminate. The cooling fan will not start immediately because of a delayed fan start-up feature. The fan will start once the kettle has reached a predetermined temperature, approximately 30 minutes after starting the cycle. The cooling fan will continue to operate approximately 1 minute after kettle turns off. When cycle is complete (approximately four hours for 1 gallon), Distiller turns off automatically.



WARNING: Never remove the kettle while the fan motor is running or for 30 minutes after a completed cycle. If cycle is interrupted, restart and allow cycle to complete or wait at least 5 hours before removing the kettle to allow water to cool.

8. Discard first gallon of distilled water as it may contain some harmless matter from manufacturing and/or packaging.
9. To pour water from carafe, open spout by pulling on center strip in direction of arrow indicator near thumb position.
10. Purified, distilled water may be stored in carafe in the refrigerator, if preferred.

MAINTENANCE



WARNING: Always unplug power cord from electrical outlet and allow unit to completely cool before cleaning or servicing distiller.

Replace Filter

The filter should be replaced every two to three months. Replace more often should the distilled water begin to have an unwanted taste or odor (see page 6 for instructions). Discard first gallon of distilled water as it may contain small, harmless carbon fines. Order replacement filters from the source where you purchased your Distiller. You can record replacement dates on page 11.

Cleaning Kettle



IMPORTANT: DO NOT immerse power cord, kettle or base unit in water or liquid to avoid fire, electrical shock and injury to persons.

Rinse the kettle with warm water before every distillation cycle to remove any loose residue. As scale deposits accumulate, use an approved cleaner, such as KLEENWISE, to remove deposits. You may also use a diluted solution of one cup white vinegar to every two cups of water. **DO NOT** operate Distiller with cleaning solution in boiler tank. Allow cleaning solution to stand for several hours or until scale softens. Use a soft plastic or nylon scouring pad if needed.



DO NOT use abrasive cleansers, caustic acids, steel wool pads, or metal utensils. Rinse thoroughly after cleaning. **DO NOT** operate Distiller with a cleaning solution in kettle.

Cleaning Carafe

Clean with mild dish detergent and soft cloth. Rinse thoroughly. **DO NOT** use carafe to store liquids other than distilled water. Other liquids may transfer a taste or odor.

Cleaning Exterior Surfaces

To keep your Distiller looking new, periodically clean the exterior plastic surfaces with a soft, damp cloth. **DO NOT** use any caustic cleaning solutions, scouring pads or powders because they will damage the plastic finish.



IMPORTANT: There are **NO** user serviceable parts inside Distiller. Contact qualified service personnel for repair if the troubleshooting tips fail.

TROUBLESHOOTING TIPS

Not making distilled water

1. Power cord not plugged into electrical outlet.
2. No power to electrical outlet.
3. Kettle not plugged into base unit receptacle.
4. Did not press “Reset” button on kettle to start cycle.
5. Did not fill the kettle with water.
6. Carafe is not in correct position.
7. Kettle has accumulated residue/scale buildup.
8. Power supply has been interrupted.

Not making enough water each batch

1. Did not fill kettle with water to “MAX” lines.
2. Carafe is not in correct position.
3. Kettle cover is not locked into position.
4. Kettle gasket damaged or missing.
5. Kettle has accumulated residue/scale buildup.

Water Leaks

1. Kettle cover is not locked into position.
2. Kettle gasket damaged or missing.
3. Kettle filled above “MAX” lines (fig C).
4. Airflow restricted around Distiller.
5. Water receptacle in carafe lid is not open.
6. Cooling fan not working.

PRACTICAL USES FOR DISTILLED WATER

Autoclave... *absolutely sterile*

Drinking... *it's healthy and delicious*

Savory Cooking... *emphasize the natural taste and appearance of food without chemicals*

Coffee, Tea and Cocoa... *use less, yet get an even richer, true taste*

Ice Cubes... *always clear, always sparkling, and never spoil the taste of your drink*

Fruit Juices... *enhance the freshly squeezed natural juice flavor*

Irons, CPAP & Humidifiers... *no damaging scale buildup means longer product life*

Personal Hygiene... *contact lenses rinse free of irritating residue, and distilled water is highly recommended for use with your Neti Pot and CPAP*

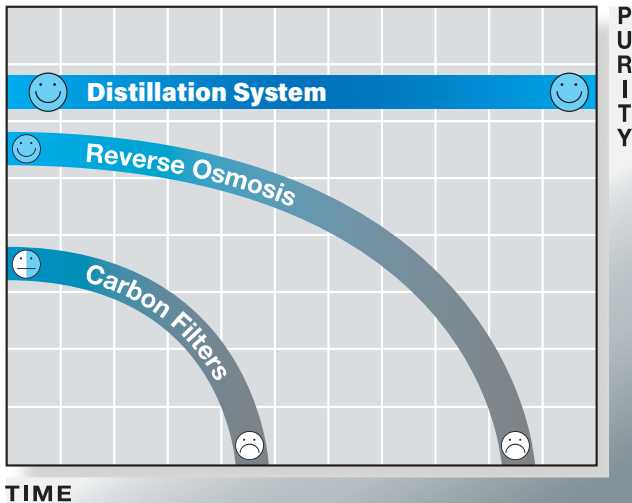
Radiant Skin... *cleanse daily without pore-clogging impurities*

Baby Care... *pure enough for formulas, inhalation therapy and herbal tinctures*

Pets... *they enjoy the same pure water benefits as people*

Healthy Fish... *keep aquariums clean, clear and chlorine-free*

Happy Plants... *eliminates brown foliage tips and flower pot salt deposits... plus longer-lasting blooms*



WARRANTY REGISTRATION

Please call (800) 624-5836 to register this distiller.

OWNER'S LIMITED WARRANTY

Tuttnauer warrants to the original purchaser that this product will be free from defects in materials and workmanship, excluding the disposable carbon filter, for a period of one (1) year from the date of purchase. Defects or failures due to shipping/handling, improper use or maintenance, including abuse or neglect, normal wear, water conditions, accidents, alterations or modifications, or unauthorized repair are specifically excluded from this warranty. No dealer, distributor, agent, representative, or other person is authorized to extend or expand this warranty.

Tuttnauer is not responsible or liable for personal injury, property damage, or incidental or consequential damages arising out of, or in connection with, the use or performance of the product or other damages with respect to loss of use. It is the responsibility of the user to ensure this product is installed in a location and used in a manner that is appropriate for its intended use.

Tuttnauer will, at its option, replace or repair the defective part(s) without charge, provided they are returned, transportation prepaid by owner, to an authorized service facility or to the address below. Enclose a letter describing the problem.

This limited warranty does not guarantee uninterrupted service. Repair or replacement as provided under this warranty is the exclusive remedy of the purchaser. This limited warranty is in lieu of all other warranties, expressed or implied, including, but not limited to, any implied warranty of merchantability or fitness for a particular use or purpose. This warranty gives you specific legal rights and you may also have other rights which vary from state to state or province to province.

Outside the United States, a different warranty may apply. For details, please contact your authorized Tuttnauer distributor.



Tuttnauer Co. USA LTD.
25 Power Drive
Hauppauge, NY 11788
(800) 624-5836